

Report No.:

Test Time: 2019/11/3 10:22:11

LUMINAIRE PHOTOMETRIC TEST REPORT

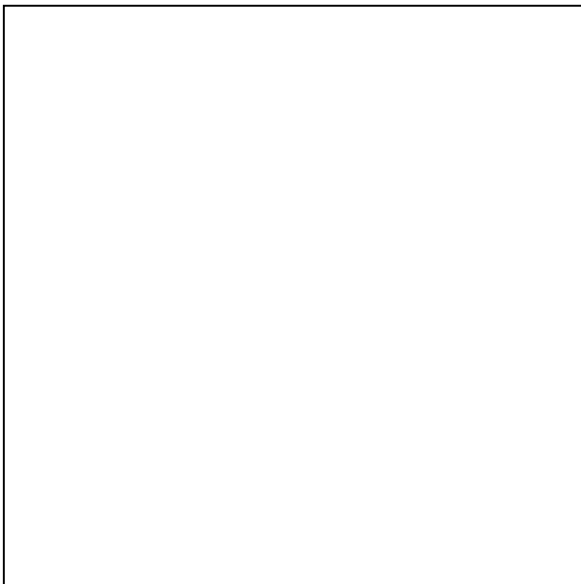
Luminaire Property

Manufacturer:	Voltage(V): 221.42 V
Luminaire Type: MD18056-3B	Current(A): 0.2360 A
Lamp Type:	Power(W): 49.71 W
Luminous Width: 0 mm	Power Factor: 0.9480
Luminous Length: 0 mm	Lamp Luminous Flux: 3830.156
Luminous Height: 0 mm	

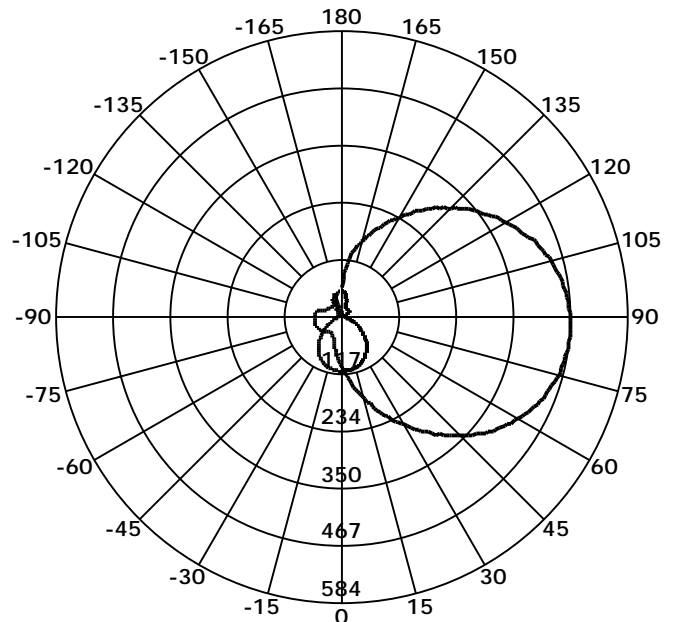
Photometric Results

CIE Class: Direct	Max. Intensity: 467.18 cd
Luminaire Luminous Flux: 3830.156	Max. Intensity Angle: C=0 Gamma=86
Downward Ratio: 54.36%	Upward Ratio: 45.64%
Luminaire Efficacy Rating(LER): 77.05 lm/W	Efficacy: 100.00%
Beam Angle(50%Imax): L=-58.80 R=65.16	Center Intensity: 101.69 cd
Field Angle(10%Imax): L=-106.48 R=0.00	

Picture of Luminaire



Luminous Intensity Distribution Curve



Beam Angle(50%Imax): 123.96 deg

C0-180 ——— C90-270 ———

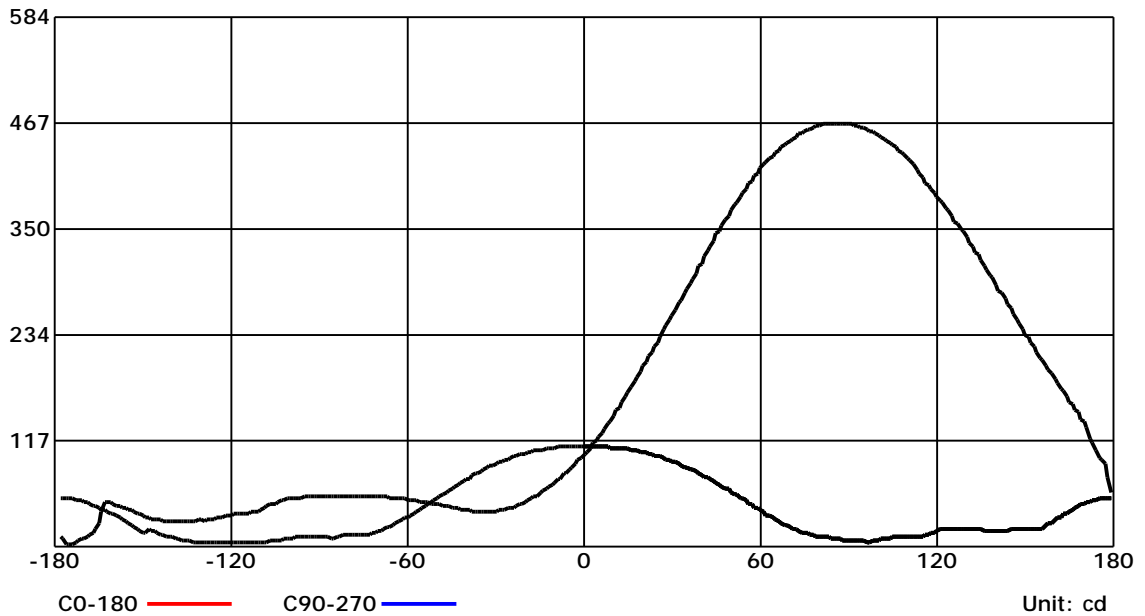
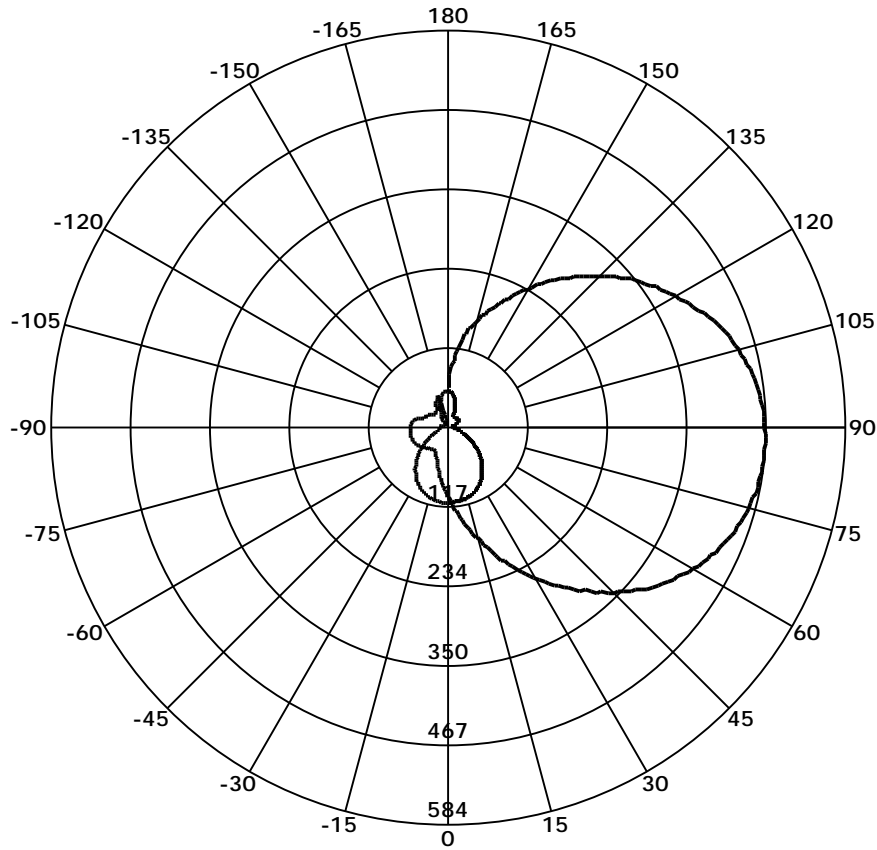
C Range: 0 - 360 Deg
 C Interval: 45.0 Deg
 Test Speed: High
 Temperature:
 Operators:
 Test Date: 2019/11/3 10:22:11

G Range: 0 - 180 Deg
 G Interval: 1.0 Deg
 Test System: Huipu CPM-1800B Goniophotometer
 Humidity:
 Test Distance: 5.95 m
 Remarks:

Report No.:

Test Time: 2019/11/3 10:22:11

Luminous Intensity Distribution Curve



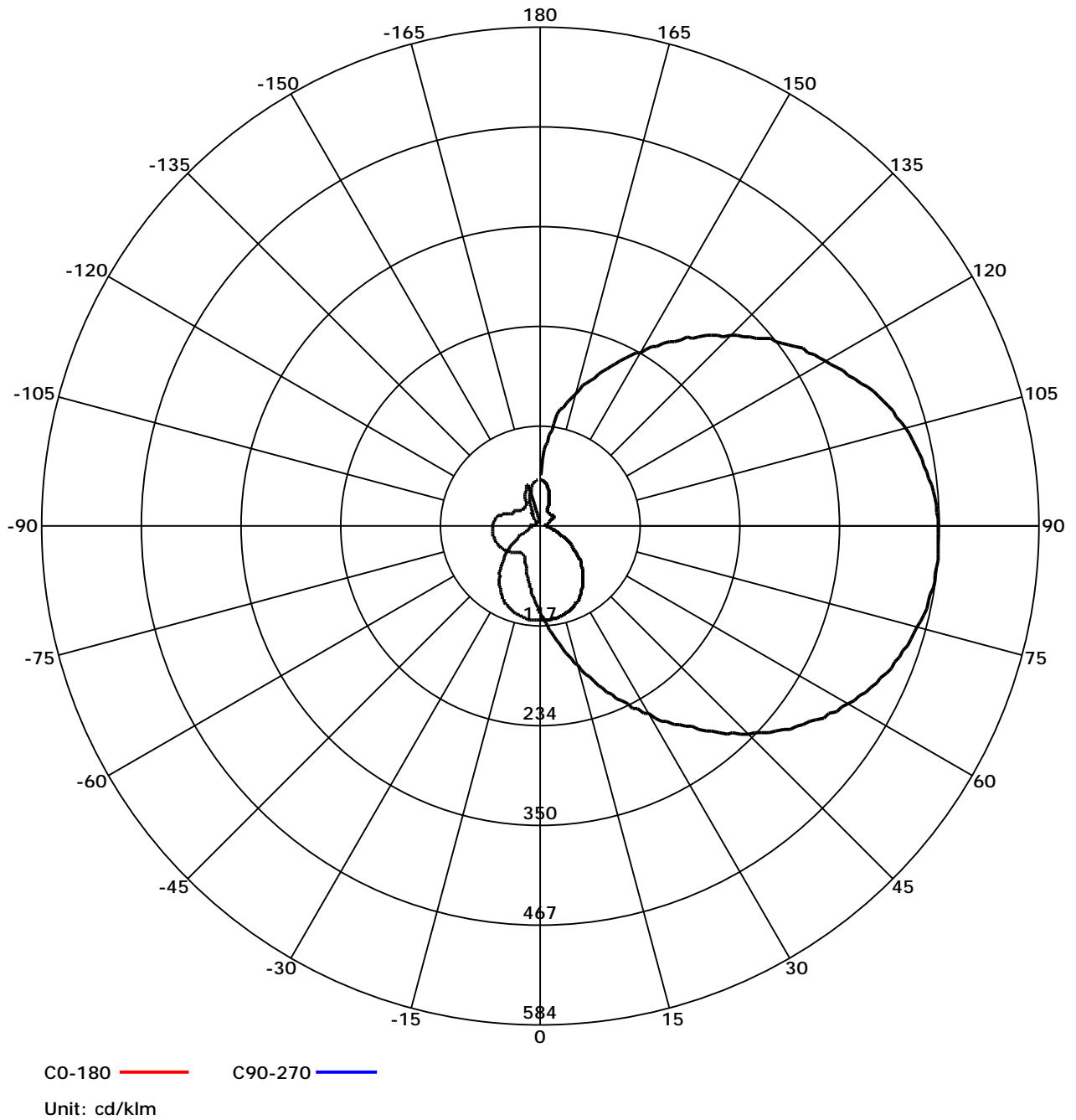
C Range: 0 - 360 Deg
 C Interval: 45.0 Deg
 Test Speed: High
 Temperature:
 Operators:
 Test Date: 2019/11/3 10:22:11

G Range: 0 - 180 Deg
 G Interval: 1.0 Deg
 Test System: Huipu CPM-1800B Goniophotometer
 Humidity:
 Test Distance: 5.95 m
 Remarks:

Report No.:

Test Time: 2019/11/3 10:22:11

Luminous Intensity Distribution Curve



C Range: 0 - 360 Deg

C Interval: 45.0 Deg

Test Speed: High

Temperature:

Operators:

Test Date: 2019/11/3 10:22:11

G Range: 0 - 180 Deg

G Interval: 1.0 Deg

Test System: Huipu CPM-1800B Goniophotometer

Humidity:

Test Distance: 5.95 m

Remarks:

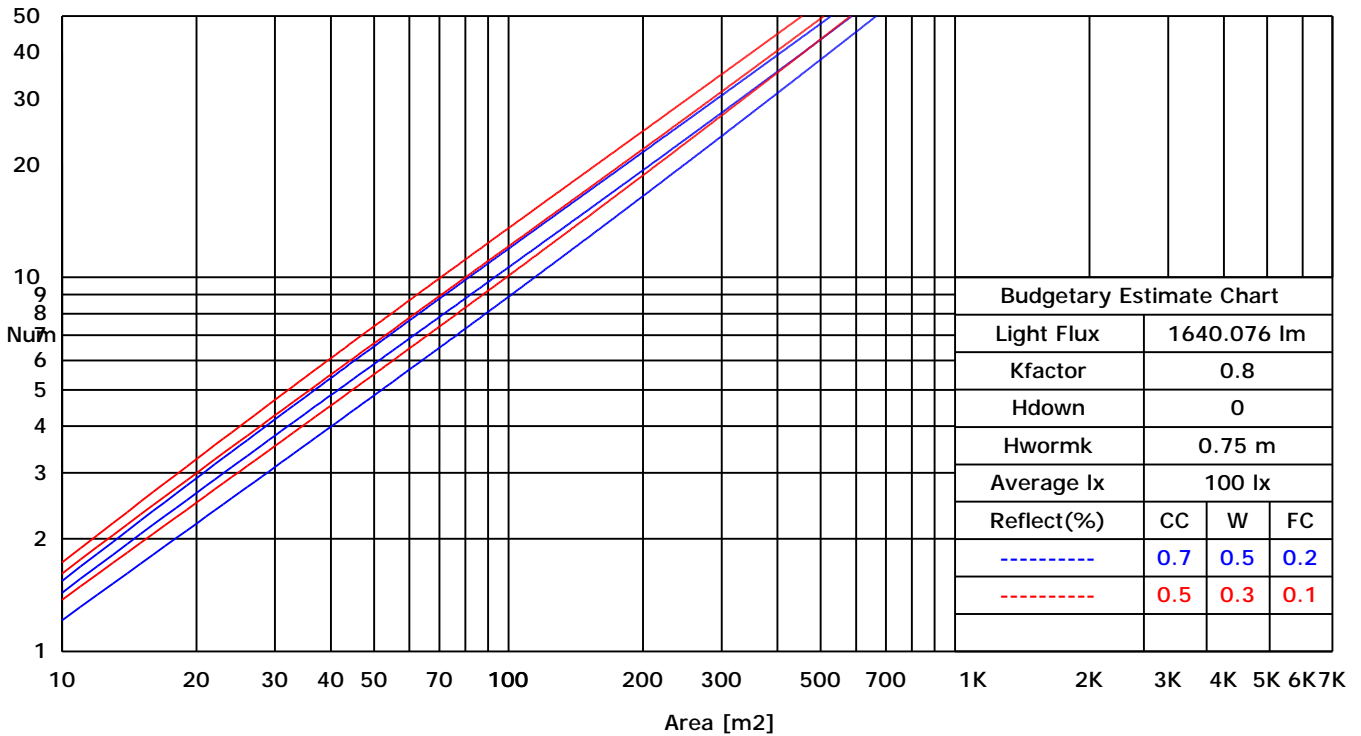
Report No.:

Test Time: 2019/11/3 10:22:11

UTILIZATION FACTORS TABLE

RHOCC	80			70			50			30			10			0
RHOW	50	30	10	50	30	10	50	30	10	50	30	10	50	30	10	0
RCR	COEFFICIENTS OF UTILIZATION FOR RHOFC=20															
0	1.19	1.19	1.19	1.16	1.16	1.16	1.11	1.11	1.11	1.06	1.06	1.06	1.02	1.02	1.02	1.00
1	1.00	0.98	0.96	0.99	0.96	0.94	0.96	0.93	0.90	0.91	0.88	0.86	0.85	0.82	0.80	0.74
2	0.88	0.85	0.83	0.87	0.84	0.81	0.85	0.81	0.78	0.82	0.78	0.74	0.77	0.73	0.69	0.65
3	0.79	0.76	0.74	0.79	0.75	0.73	0.77	0.73	0.70	0.75	0.70	0.66	0.72	0.67	0.62	0.58
4	0.73	0.70	0.69	0.73	0.70	0.67	0.72	0.68	0.64	0.70	0.65	0.61	0.67	0.62	0.58	0.54
5	0.68	0.66	0.64	0.68	0.65	0.63	0.68	0.63	0.60	0.66	0.61	0.57	0.64	0.59	0.54	0.50
6	0.65	0.63	0.61	0.65	0.62	0.60	0.64	0.60	0.57	0.63	0.58	0.54	0.61	0.56	0.51	0.48
7	0.62	0.60	0.59	0.62	0.59	0.58	0.62	0.58	0.55	0.61	0.56	0.52	0.59	0.54	0.49	0.46
8	0.60	0.58	0.57	0.60	0.57	0.56	0.60	0.56	0.53	0.59	0.54	0.51	0.57	0.52	0.48	0.45
9	0.58	0.56	0.55	0.58	0.56	0.54	0.58	0.54	0.52	0.57	0.52	0.49	0.56	0.50	0.46	0.43
10	0.57	0.55	0.54	0.57	0.54	0.53	0.56	0.53	0.50	0.56	0.51	0.48	0.54	0.49	0.45	0.42

LUMINAIRE BUDGETARY ESTIMATE DIAGRAM



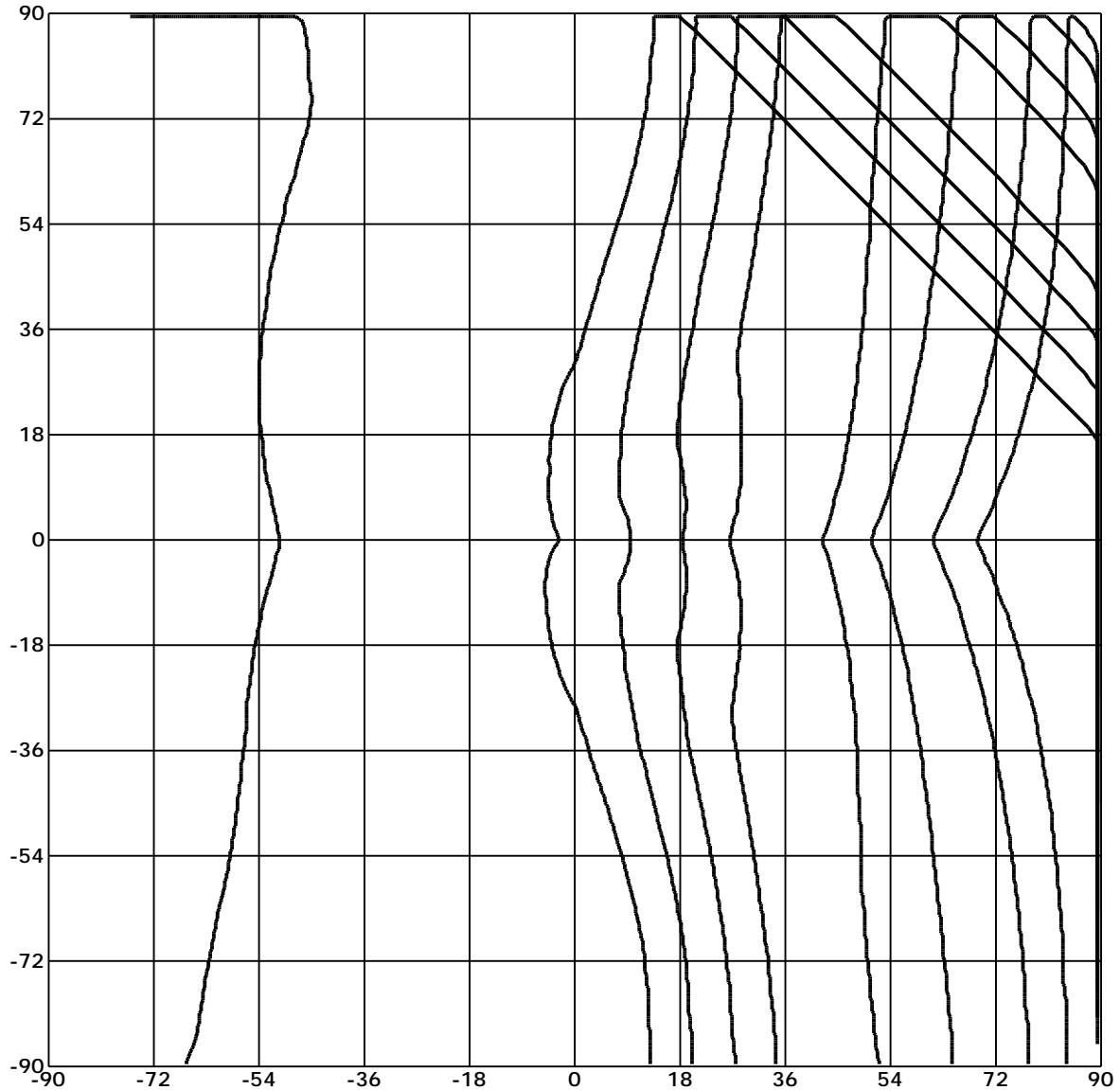
C Range: 0 - 360 Deg
 C Interval: 45.0 Deg
 Test Speed: High
 Temperature:
 Operators:
 Test Date: 2019/11/3 10:22:11

G Range: 0 - 180 Deg
 G Interval: 1.0 Deg
 Test System: Huipu CPM-1800B Goniophotometer
 Humidity:
 Test Distance: 5.95 m
 Remarks:

Report No.:

Test Time: 2019/11/3 10:22:11

ISOCANDELA DIAGRAM (RECTANGULAR)



Unit of intensity:cd I_{max}(100%): 467.183 cd

- | | |
|----------------------------------|----------------------------------|
| —— 443.824(95%I _{max}) | —— 233.592(50%I _{max}) |
| —— 420.465(90%I _{max}) | —— 186.873(40%I _{max}) |
| —— 373.747(80%I _{max}) | —— 140.155(30%I _{max}) |
| —— 327.028(70%I _{max}) | —— 93.437(20%I _{max}) |
| —— 280.31(60%I _{max}) | —— 46.718(10%I _{max}) |

C Range: 0 - 360 Deg

C Interval: 45.0 Deg

Test Speed: High

Temperature:

Operators:

Test Date: 2019/11/3 10:22:11

G Range: 0 - 180 Deg

G Interval: 1.0 Deg

Test System: Huipu CPM-1800B Goniophotometer

Humidity:

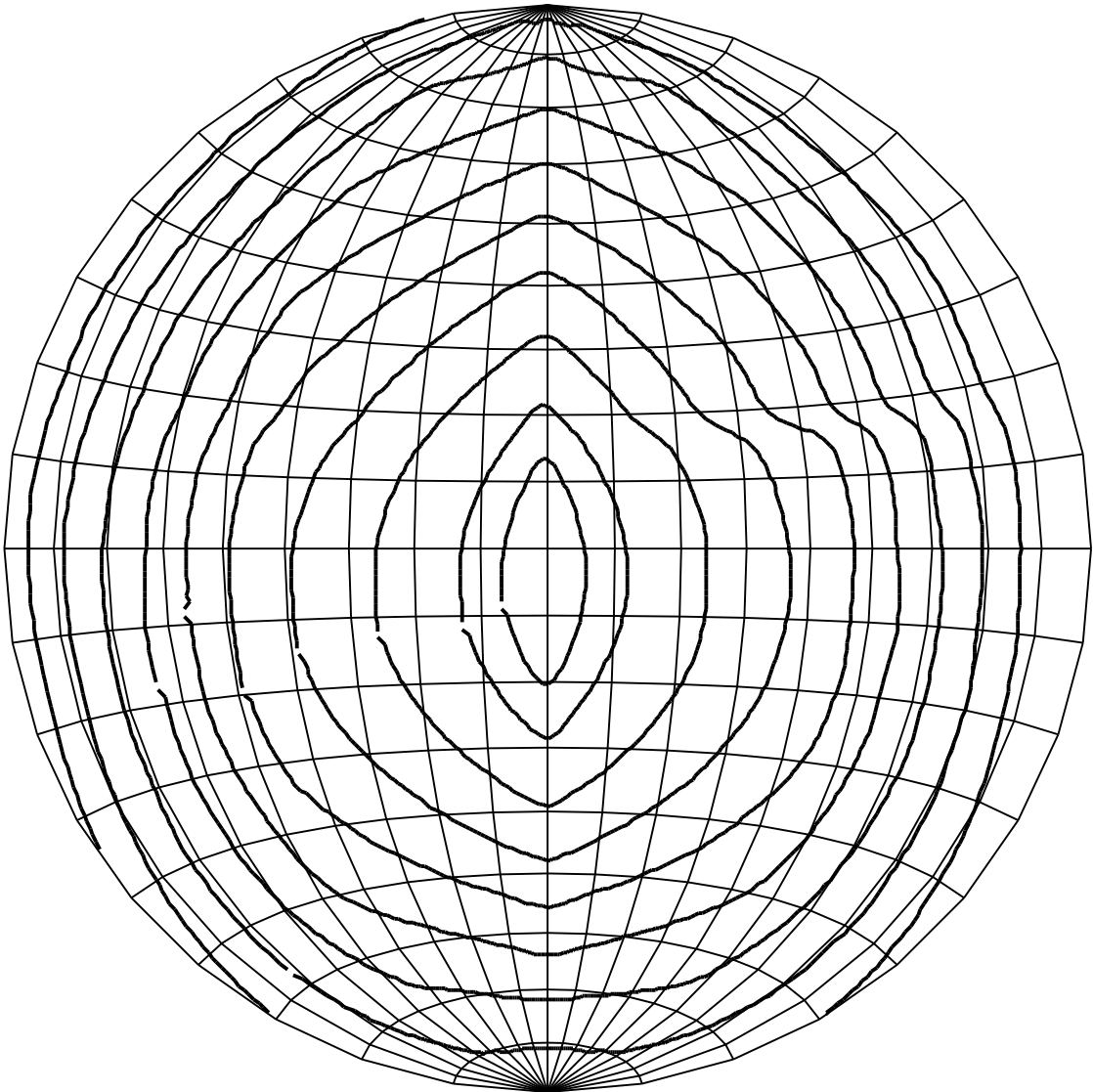
Test Distance: 5.95 m

Remarks:

Report No.:

Test Time: 2019/11/3 10:22:11

ISOCANDELA DIAGRAM (SPHERE)



Unit of intensity:cd I_{max}(100%): 467.183 cd

— 443.824(95%I _{max})	— 233.592(50%I _{max})
— 420.465(90%I _{max})	— 186.873(40%I _{max})
— 373.747(80%I _{max})	— 140.155(30%I _{max})
— 327.028(70%I _{max})	— 93.437(20%I _{max})
— 280.31(60%I _{max})	— 46.718(10%I _{max})

C Range: 0 - 360 Deg

C Interval: 45.0 Deg

Test Speed: High

Temperature:

Operators:

Test Date: 2019/11/3 10:22:11

G Range: 0 - 180 Deg

G Interval: 1.0 Deg

Test System: Huipu CPM-1800B Goniophotometer

Humidity:

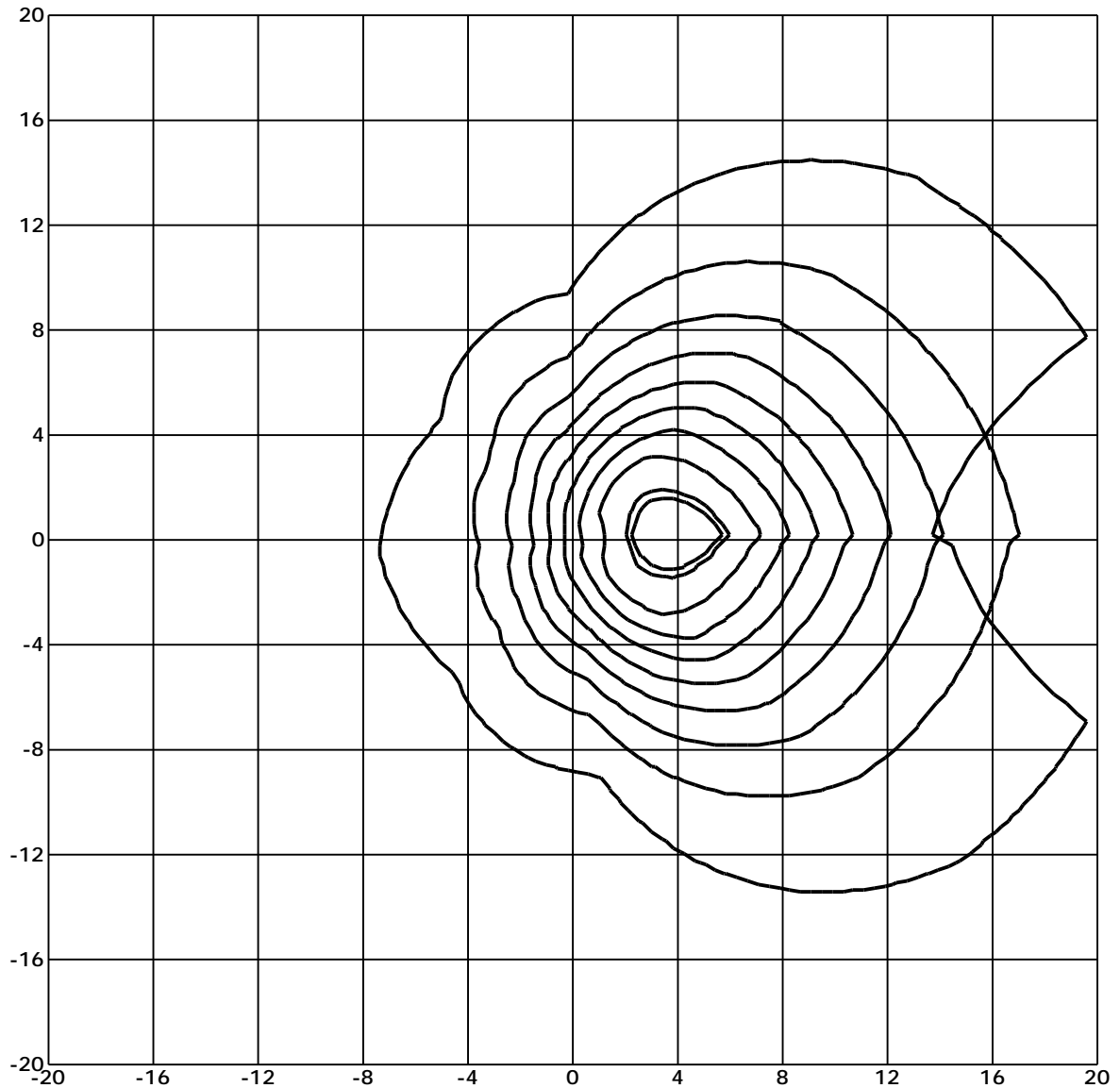
Test Distance: 5.95 m

Remarks:

Report No.:

Test Time: 2019/11/3 10:22:11

ISOLX DIAGRAM



Unit of illumination: lx Height of plane: 8.0(m)/26.25(ft)

- | | |
|------------------|------------------|
| —— 2.434(1%Emax) | —— 1.323(0%Emax) |
| —— 2.381(1%Emax) | —— 1.058(0%Emax) |
| —— 2.117(0%Emax) | —— 0.794(0%Emax) |
| —— 1.852(0%Emax) | —— 0.529(0%Emax) |
| —— 1.588(0%Emax) | —— 0.265(0%Emax) |

C Range: 0 - 360 Deg

C Interval: 45.0 Deg

Test Speed: High

Temperature:

Operators:

Test Date: 2019/11/3 10:22:11

G Range: 0 - 180 Deg

G Interval: 1.0 Deg

Test System: Huipu CPM-1800B Goniophotometer

Humidity:

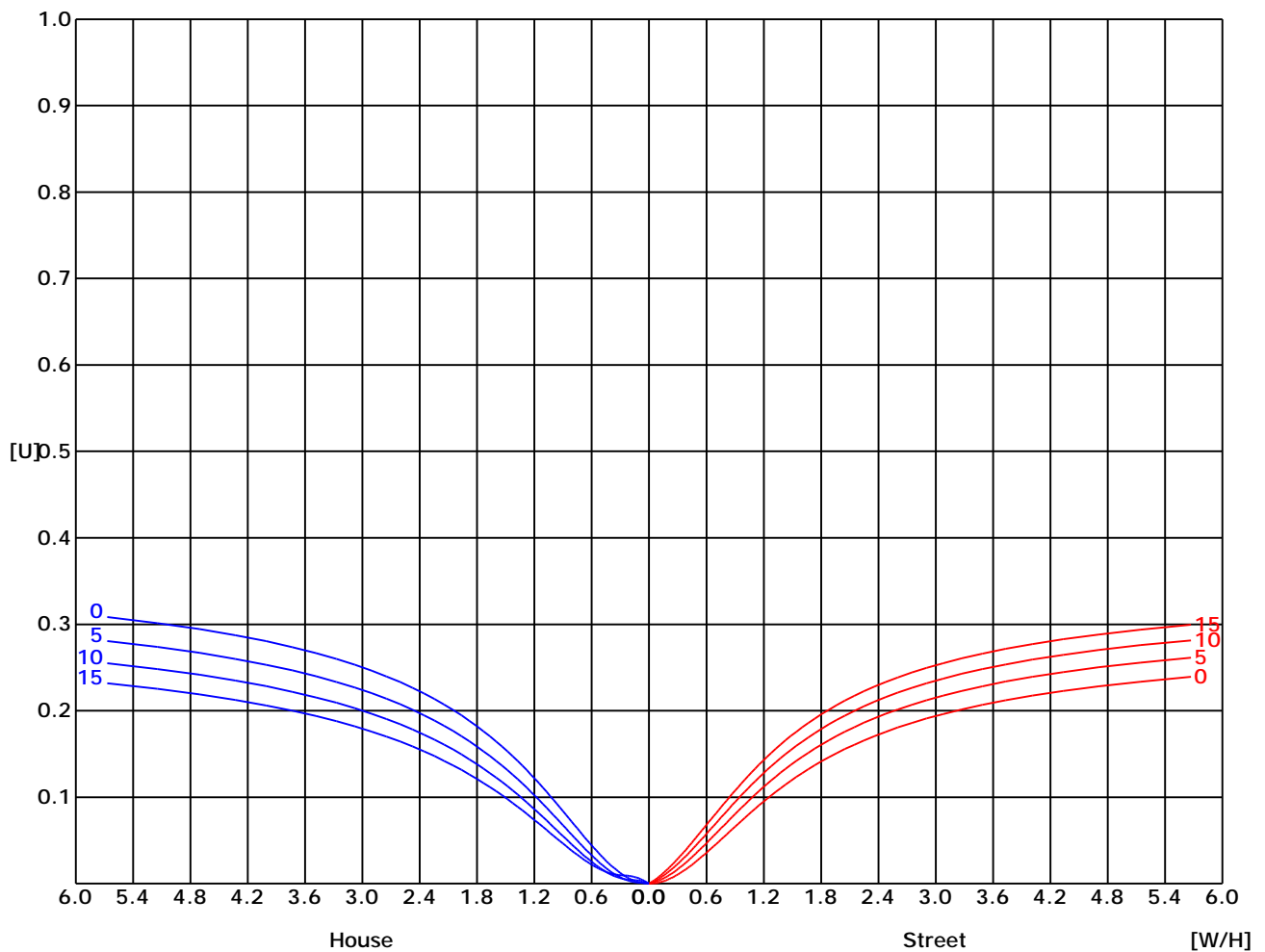
Test Distance: 5.95 m

Remarks:

Report No.:

Test Time: 2019/11/3 10:22:11

UTILIZATION FACTOR DIAGRAM (ROAD)



C Range: 0 - 360 Deg
 C Interval: 45.0 Deg
 Test Speed: High
 Temperature:
 Operators:
 Test Date: 2019/11/3 10:22:11

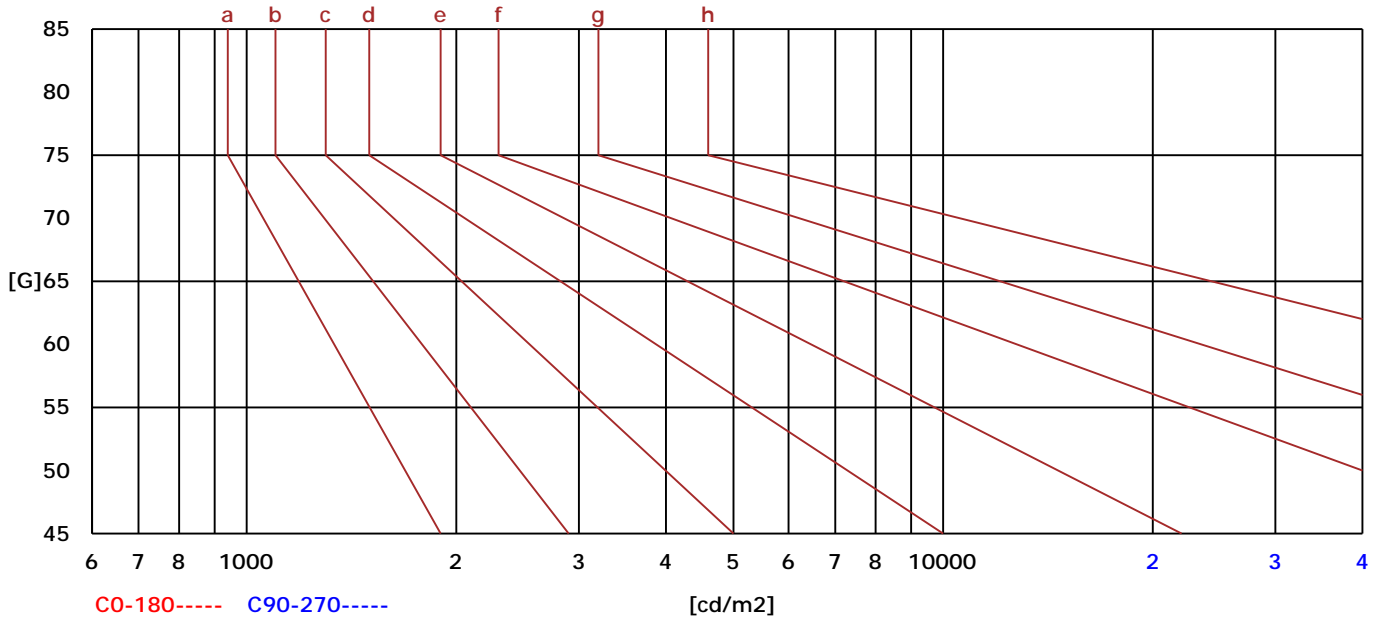
G Range: 0 - 180 Deg
 G Interval: 1.0 Deg
 Test System: Huipu CPM-1800B Goniophotometer
 Humidity:
 Test Distance: 5.95 m
 Remarks:

Report No.:

Test Time: 2019/11/3 10:22:11

BRIGHT LIMIT DIAGRAM

C/G	45	50	55	60	65	70	75	80	85
C0	0	0	0	0	0	0	0	0	0
C90	0	0	0	0	0	0	0	0	0
Dazzle	Quality	Illuminance	---	---	---	---	---	---	---
1.15	A	2000	1000	500	<=300				
1.5	B		2000	1000	500	<=300			
1.85	C			2000	1000	500	<=300		
2.2	D				2000	1000	500	<=300	
2.55	E					2000	1000	500	<=300
---	---	a	b	c	d	e	f	g	h



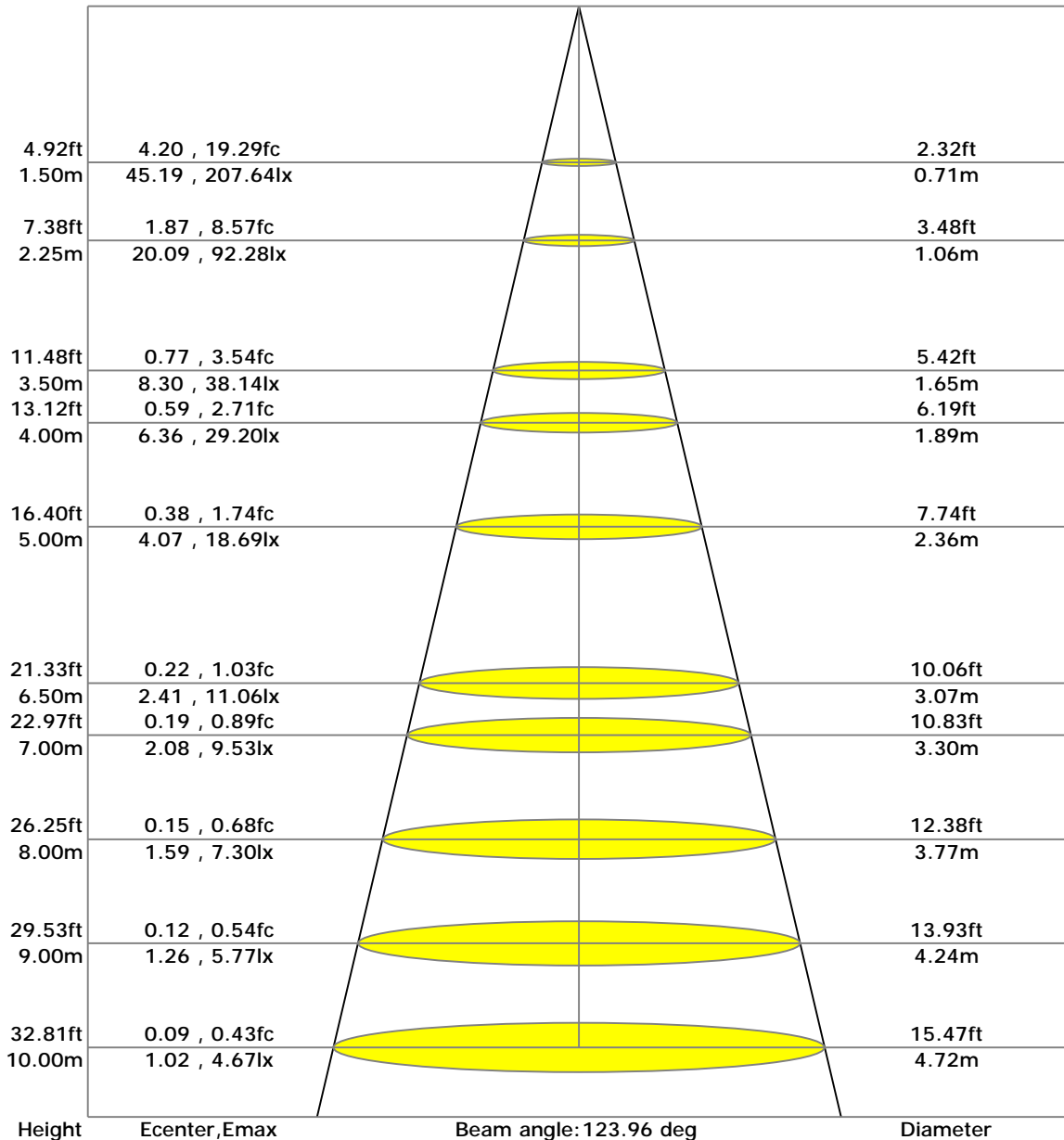
C Range: 0 - 360 Deg
 C Interval: 45.0 Deg
 Test Speed: High
 Temperature:
 Operators:
 Test Date: 2019/11/3 10:22:11

G Range: 0 - 180 Deg
 G Interval: 1.0 Deg
 Test System: Huipu CPM-1800B Goniophotometer
 Humidity:
 Test Distance: 5.95 m
 Remarks:

Report No.:

Test Time: 2019/11/3 10:22:11

LX-DISTANCE DIAGRAM



C Range: 0 - 360 Deg
 C Interval: 45.0 Deg
 Test Speed: High
 Temperature:
 Operators:
 Test Date: 2019/11/3 10:22:11

G Range: 0 - 180 Deg
 G Interval: 1.0 Deg
 Test System: Huipu CPM-1800B Goniophotometer
 Humidity:
 Test Distance: 5.95 m
 Remarks:

Report No.:

Test Time: 2019/11/3 10:22:11

UGR(Unified Glare Rating) TABLE

RHOCC		80	80	70	70	70	50	50	50	30	30
RHOW		50	30	10	50	30	10	50	30	10	50
RHOF		20	20	20	20	20	20	20	20	20	20
Room Size X Y		Weft to light axis direction of observation					Direction of light axis parallel observation				
2H	2H	18.00	17.60	17.28	17.80	17.35	16.98	17.22	16.73	16.29	16.41
	3H	15.76	15.28	14.93	15.67	15.10	14.66	15.28	14.61	14.05	14.69
	4H	14.22	13.73	13.40	14.18	13.58	13.14	13.93	13.18	12.59	13.49
	6H	13.12	12.65	12.35	13.11	12.51	12.10	12.94	12.16	11.58	12.60
	8H	12.30	11.87	11.59	12.31	11.74	11.35	12.19	11.42	10.86	11.92
	12H	11.68	11.27	11.02	11.69	11.15	10.79	11.60	10.85	10.31	11.38
4H	2H	11.19	10.82	10.58	11.20	10.69	10.35	11.12	10.40	9.89	10.94
	3H	10.80	10.45	10.24	10.81	10.32	10.01	10.73	10.04	9.56	10.57
	4H	10.49	10.16	9.96	10.48	10.03	9.74	10.41	9.74	9.29	10.26
	6H	10.22	9.92	9.73	10.21	9.78	9.52	10.14	9.50	9.08	9.99
	8H	10.00	9.72	9.55	9.99	9.58	9.33	9.90	9.29	8.90	9.76
	12H	9.82	9.55	9.39	9.79	9.41	9.17	9.70	9.12	8.74	9.56
8H	4H	9.66	9.41	9.26	9.63	9.26	9.04	9.53	8.97	8.61	9.38
	6H	9.52	9.28	9.14	9.48	9.14	8.93	9.37	8.84	8.50	9.22
	8H	9.40	9.18	9.04	9.36	9.03	8.83	9.23	8.73	8.41	9.08
	12H	9.30	9.08	8.95	9.24	8.93	8.74	9.11	8.63	8.32	8.95
12H	4H	9.21	9.00	8.88	9.15	8.85	8.67	9.00	8.54	8.25	8.84
	6H	9.12	8.93	8.81	9.06	8.77	8.60	8.91	8.46	8.18	8.73

C Range: 0 - 360 Deg

C Interval: 45.0 Deg

Test Speed: High

Temperature:

Operators:

Test Date: 2019/11/3 10:22:11

G Range: 0 - 180 Deg

G Interval: 1.0 Deg

Test System: Huipu CPM-1800B Goniophotometer

Humidity:

Test Distance: 5.95 m

Remarks:

Report No.:

Test Time: 2019/11/3 10:22:11

ZONAL LUMINOUS FLUX TABLE

Gamma [deg]	I _{mean} [cd]	Zonal Flux [lm]	Sum Flux [lm]	Zonal Flux [%]	Sum Flux [%]
0	107.77	0.00	0.00	0.00	0.00
5	108.30	2.59	2.59	0.16	0.16
10	110.00	7.83	10.42	0.48	0.64
15	112.35	13.23	23.64	0.81	1.44
20	115.04	18.83	42.48	1.15	2.59
25	118.50	24.63	67.11	1.50	4.09
30	122.09	30.60	97.71	1.87	5.96
35	125.97	36.77	134.48	2.24	8.20
40	130.13	43.06	177.54	2.63	10.82
45	135.00	49.53	227.07	3.02	13.84
50	139.38	55.85	282.92	3.41	17.25
55	143.40	61.89	344.80	3.77	21.02
60	147.05	67.52	412.33	4.12	25.14
65	149.78	72.49	484.82	4.42	29.56
70	151.92	76.65	561.47	4.67	34.23
75	153.25	79.91	641.38	4.87	39.11
80	154.15	82.37	723.75	5.02	44.13
85	154.01	83.77	807.53	5.11	49.24
90	153.22	84.07	891.59	5.13	54.36
95	151.80	83.34	974.94	5.08	59.44
100	149.08	81.45	1056.39	4.97	64.41
105	144.97	78.19	1134.57	4.77	69.18
110	132.89	71.32	1205.90	4.35	73.53
115	127.97	65.54	1271.44	4.00	77.52
120	123.24	60.59	1332.03	3.69	81.22
125	117.94	55.27	1387.30	3.37	84.59
130	111.55	49.32	1436.62	3.01	87.59
135	104.87	43.18	1479.81	2.63	90.23
140	98.94	37.23	1517.03	2.27	92.50
145	93.69	31.82	1548.85	1.94	94.44
150	89.27	26.78	1575.63	1.63	96.07
155	85.52	21.94	1597.57	1.34	97.41
160	82.62	17.51	1615.08	1.07	98.48
165	70.77	12.31	1627.39	0.75	99.23
170	61.03	7.55	1634.94	0.46	99.69
175	52.07	3.97	1638.91	0.24	99.93
180	48.18	1.17	1640.08	0.07	100.00

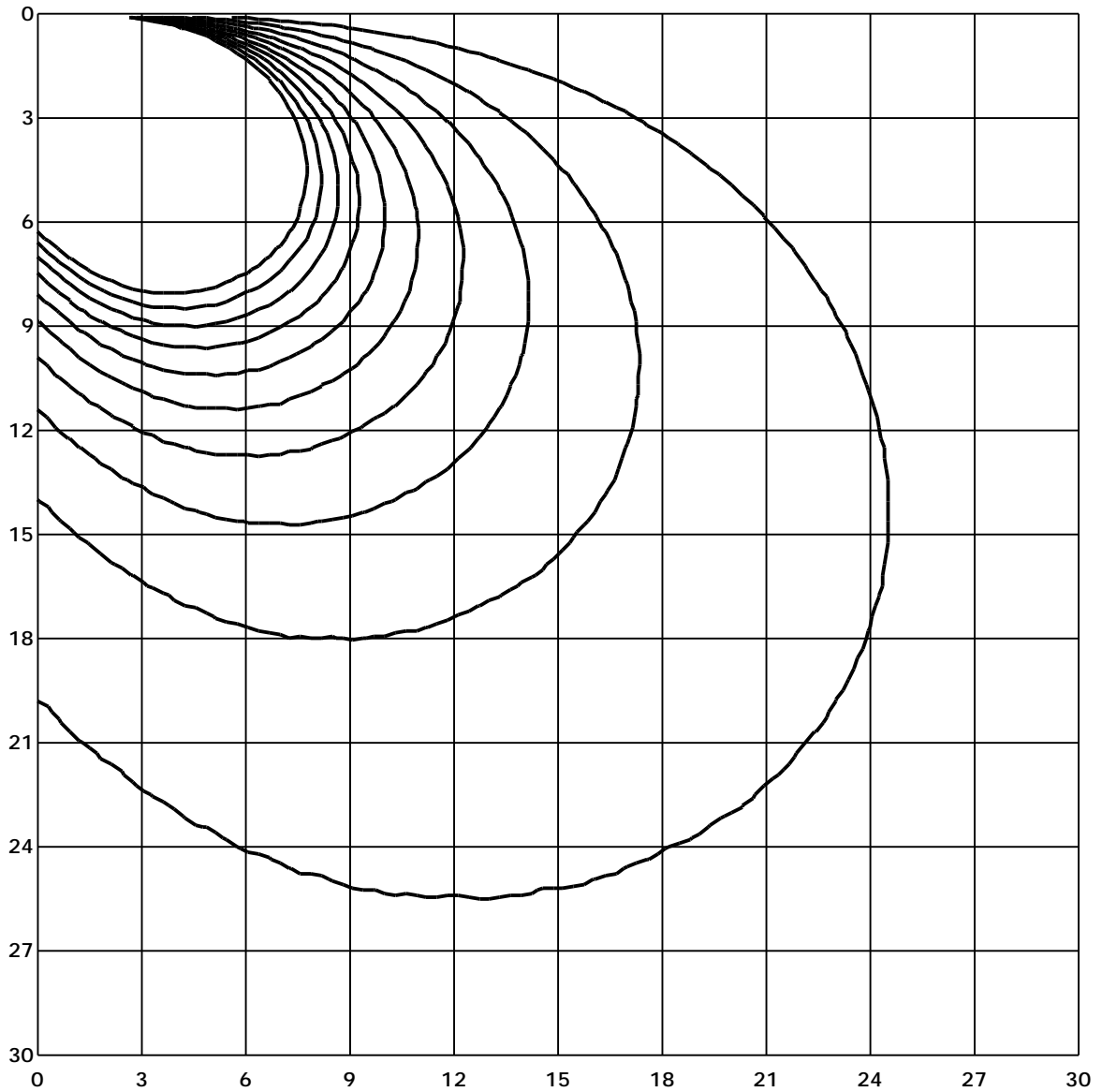
C Range: 0 - 360 Deg
 C Interval: 45.0 Deg
 Test Speed: High
 Temperature:
 Operators:
 Test Date: 2019/11/3 10:22:11

G Range: 0 - 180 Deg
 G Interval: 1.0 Deg
 Test System: Huipu CPM-1800B Goniophotometer
 Humidity:
 Test Distance: 5.95 m
 Remarks:

Report No.:

Test Time: 2019/11/3 10:22:11

SPACE ISOLX DIAGRAM



Unit of illumination: lx

- | | |
|----------|----------|
| —— 2.598 | —— 1.299 |
| —— 2.339 | —— 1.039 |
| —— 2.079 | —— 0.78 |
| —— 1.819 | —— 0.52 |
| —— 1.559 | —— 0.26 |

C Range: 0 - 360 Deg

C Interval: 45.0 Deg

Test Speed: High

Temperature:

Operators:

Test Date: 2019/11/3 10:22:11

G Range: 0 - 180 Deg

G Interval: 1.0 Deg

Test System: Huipu CPM-1800B Goniophotometer

Humidity:

Test Distance: 5.95 m

Remarks:

Report No.:

Test Time: 2019/11/3 10:22:11

LUMINOUS DISTRIBUTION INTENSITY DATA

Gamma/C	C0	C45	C90	C135	C180	C225	C270	C315	C360
G0	101.69	109.72	110.89	108.77	101.69	109.72	110.89	108.77	101.69
G1	103.92	113.09	110.79	105.37	97.4	108.13	110.89	112.27	103.92
G2	108.66	114.96	110.68	103.6	95.32	104.91	110.79	114.04	108.66
G3	113.83	118.47	110.57	100.34	91.49	103.39	110.79	117.73	113.83
G4	116.38	122.08	110.4	97.26	87.85	100.27	110.64	121.51	116.38
G5	121.62	123.92	110.15	95.7	85.86	97.33	110.36	123.39	121.62
G6	124.38	127.64	110.04	92.73	81.79	95.88	110.29	127.18	124.38
G7	129.87	129.51	109.79	89.93	79.88	93.05	110.04	131.0	129.87
G8	135.5	133.27	109.65	88.55	74.04	91.67	109.72	132.95	135.5
G9	138.36	137.05	109.33	85.72	74.04	88.91	109.48	137.09	138.36
G10	144.24	138.97	109.05	84.13	70.68	86.0	108.98	139.04	144.24
G11	150.15	142.86	108.91	81.23	67.38	84.45	108.56	142.93	150.15
G12	153.2	146.79	108.49	79.74	65.83	81.37	108.27	146.97	153.2
G13	159.46	148.77	108.24	74.11	62.89	79.92	107.71	148.91	159.46
G14	165.87	152.84	107.78	73.79	61.47	76.98	107.07	153.02	165.87
G15	169.13	156.95	107.46	72.45	58.74	74.29	106.68	155.04	169.13
G16	175.68	158.93	106.89	69.86	55.95	72.91	105.83	159.04	175.68
G17	182.37	162.9	106.22	68.62	54.74	70.14	105.44	163.15	182.37
G18	185.73	166.9	105.83	66.18	52.44	67.63	104.56	165.24	185.73
G19	192.57	168.92	104.98	63.84	50.32	66.36	104.02	169.34	192.57
G20	199.4	173.13	104.52	62.67	49.36	63.98	103.0	171.4	199.4
G21	203.4	177.06	103.56	60.41	47.52	61.72	101.86	175.5	203.4
G22	210.52	179.01	102.54	59.31	45.86	60.59	101.33	177.63	210.52
G23	214.02	182.97	101.97	57.15	44.37	58.28	100.06	181.7	214.02
G24	221.07	184.85	100.87	56.05	43.7	56.12	99.46	185.84	221.07
G25	224.75	188.71	99.63	53.93	42.46	55.03	98.08	187.86	224.75
G26	232.15	192.57	99.0	51.95	41.86	53.04	96.34	191.89	232.15
G27	239.4	194.44	97.69	51.03	40.9	51.1	95.53	194.23	239.4
G28	243.09	198.23	96.31	49.26	40.05	50.14	93.79	198.23	243.09
G29	250.41	200.11	95.6	47.42	39.7	48.41	92.87	202.23	250.41
G30	254.06	203.86	94.15	46.6	39.13	47.59	91.1	204.25	254.06
G31	261.42	205.74	92.52	45.11	38.92	46.04	89.23	208.25	261.42
G32	268.72	209.38	91.6	43.73	38.57	45.26	88.31	212.04	268.72
G33	272.36	213.03	89.79	43.1	38.39	43.88	86.36	214.02	272.36
G34	279.76	214.76	88.02	41.86	38.35	42.67	84.41	217.88	279.76
G35	283.37	218.34	87.1	40.76	38.39	42.67	83.42	221.77	283.37
G36	290.74	220.11	85.15	40.23	38.46	40.76	81.37	223.72	290.74

C Range: 0 - 360 Deg

C Interval: 45.0 Deg

Test Speed: High

Temperature:

Operators:

Test Date: 2019/11/3 10:22:11

G Range: 0 - 180 Deg

G Interval: 1.0 Deg

Test System: Huipu CPM-1800B Goniophotometer

Humidity:

Test Distance: 5.95 m

Remarks:

Report No.:

Test Time: 2019/11/3 10:22:11

LUMINOUS DISTRIBUTION INTENSITY DATA(Continue 1)

GammaC	C0	C45	C90	C135	C180	C225	C270	C315	C360	
G37	101.69	109.72	110.89	108.77	101.69	109.72	110.89	108.77	101.69	
G38	103.92	113.09	110.79	105.37	97.4	108.13	110.89	112.27	103.92	
G39	108.66	114.96	110.68	103.6	95.32	104.91	110.79	114.04	108.66	
G40	113.83	118.47	110.57	100.34	91.49	103.39	110.79	117.73	113.83	
G41	116.38	122.08	110.4	97.26	87.85	100.27	110.64	121.51	116.38	
G42	121.62	123.92	110.15	95.7	85.86	97.33	110.36	123.39	121.62	
G43	124.38	127.64	110.04	92.73	81.79	95.88	110.29	127.18	124.38	
G44	129.87	129.51	109.79	89.93	79.88	93.05	110.04	131.0	129.87	
G45	135.5	133.27	109.65	88.55	74.04	91.67	109.72	132.95	135.5	
G46	138.36	137.05	109.33	85.72	74.04	88.91	109.48	137.09	138.36	
G47	144.24	138.97	109.05	84.13	70.68	86.0	108.98	139.04	144.24	
G48	150.15	142.86	108.91	81.23	67.38	84.45	108.56	142.93	150.15	
G49	153.2	146.79	108.49	79.74	65.83	81.37	108.27	146.97	153.2	
G50	159.46	148.77	108.24	74.11	62.89	79.92	107.71	148.91	159.46	
G51	165.87	152.84	107.78	73.79	61.47	76.98	107.07	153.02	165.87	
G52	169.13	156.95	107.46	72.45	58.74	74.29	106.68	155.04	169.13	
G53	175.68	158.93	106.89	69.86	55.95	72.91	105.83	159.04	175.68	
G54	182.37	162.9	106.22	68.62	54.74	70.14	105.44	163.15	182.37	
G55	185.73	166.9	105.83	66.18	52.44	67.63	104.56	165.24	185.73	
G56	192.57	168.92	104.98	63.84	50.32	66.36	104.02	169.34	192.57	
G57	199.4	173.13	104.52	62.67	49.36	63.98	103.0	171.4	199.4	
G58	203.4	177.06	103.56	60.41	47.52	61.72	101.86	175.5	203.4	
G59	210.52	179.01	102.54	59.31	45.86	60.59	101.33	177.63	210.52	
G60	214.02	182.97	101.97	57.15	44.37	58.28	100.06	181.7	214.02	
G61	221.07	184.85	100.87	56.05	43.7	56.12	99.46	185.84	221.07	
G62	224.75	188.71	99.63	53.93	42.46	55.03	98.08	187.86	224.75	
G63	232.15	192.57	99.0	51.95	41.86	53.04	96.34	191.89	232.15	
G64	239.4	194.44	97.69	51.03	40.9	51.1	95.53	194.23	239.4	
G65	243.09	198.23	96.31	49.26	40.05	50.14	93.79	198.23	243.09	
G66	250.41	200.11	95.6	47.42	39.7	48.41	92.87	202.23	250.41	
G67	254.06	203.86	94.15	46.6	39.13	47.59	91.1	204.25	254.06	
G68	261.42	205.74	92.52	45.11	38.92	46.04	89.23	208.25	261.42	
G69	268.72	209.38	91.6	43.73	38.57	45.26	88.31	212.04	268.72	
G70	272.36	213.03	89.79	43.1	38.39	43.88	86.36	214.02	272.36	
G71	279.76	214.76	88.02	41.86	38.35	42.67	84.41	217.88	279.76	
G72	283.37	218.34	87.1	40.76	38.39	42.67	83.42	221.77	283.37	
G73	290.74	220.11	85.15	40.23	38.46	40.76	81.37	223.72	290.74	

C Range: 0 - 360 Deg

C Interval: 45.0 Deg

Test Speed: High

Temperature:

Operators:

Test Date: 2019/11/3 10:22:11

G Range: 0 - 180 Deg

G Interval: 1.0 Deg

Test System: Huipu CPM-1800B Goniophotometer

Humidity:

Test Distance: 5.95 m

Remarks:

Report No.:

Test Time: 2019/11/3 10:22:11

LUMINOUS DISTRIBUTION INTENSITY DATA(Continue 2)

GammaC	C0	C45	C90	C135	C180	C225	C270	C315	C360	
G74	101.69	109.72	110.89	108.77	101.69	109.72	110.89	108.77	101.69	
G75	103.92	113.09	110.79	105.37	97.4	108.13	110.89	112.27	103.92	
G76	108.66	114.96	110.68	103.6	95.32	104.91	110.79	114.04	108.66	
G77	113.83	118.47	110.57	100.34	91.49	103.39	110.79	117.73	113.83	
G78	116.38	122.08	110.4	97.26	87.85	100.27	110.64	121.51	116.38	
G79	121.62	123.92	110.15	95.7	85.86	97.33	110.36	123.39	121.62	
G80	124.38	127.64	110.04	92.73	81.79	95.88	110.29	127.18	124.38	
G81	129.87	129.51	109.79	89.93	79.88	93.05	110.04	131.0	129.87	
G82	135.5	133.27	109.65	88.55	74.04	91.67	109.72	132.95	135.5	
G83	138.36	137.05	109.33	85.72	74.04	88.91	109.48	137.09	138.36	
G84	144.24	138.97	109.05	84.13	70.68	86.0	108.98	139.04	144.24	
G85	150.15	142.86	108.91	81.23	67.38	84.45	108.56	142.93	150.15	
G86	153.2	146.79	108.49	79.74	65.83	81.37	108.27	146.97	153.2	
G87	159.46	148.77	108.24	74.11	62.89	79.92	107.71	148.91	159.46	
G88	165.87	152.84	107.78	73.79	61.47	76.98	107.07	153.02	165.87	
G89	169.13	156.95	107.46	72.45	58.74	74.29	106.68	155.04	169.13	
G90	175.68	158.93	106.89	69.86	55.95	72.91	105.83	159.04	175.68	
G91	182.37	162.9	106.22	68.62	54.74	70.14	105.44	163.15	182.37	
G92	185.73	166.9	105.83	66.18	52.44	67.63	104.56	165.24	185.73	
G93	192.57	168.92	104.98	63.84	50.32	66.36	104.02	169.34	192.57	
G94	199.4	173.13	104.52	62.67	49.36	63.98	103.0	171.4	199.4	
G95	203.4	177.06	103.56	60.41	47.52	61.72	101.86	175.5	203.4	
G96	210.52	179.01	102.54	59.31	45.86	60.59	101.33	177.63	210.52	
G97	214.02	182.97	101.97	57.15	44.37	58.28	100.06	181.7	214.02	
G98	221.07	184.85	100.87	56.05	43.7	56.12	99.46	185.84	221.07	
G99	224.75	188.71	99.63	53.93	42.46	55.03	98.08	187.86	224.75	
G100	232.15	192.57	99.0	51.95	41.86	53.04	96.34	191.89	232.15	
G101	239.4	194.44	97.69	51.03	40.9	51.1	95.53	194.23	239.4	
G102	243.09	198.23	96.31	49.26	40.05	50.14	93.79	198.23	243.09	
G103	250.41	200.11	95.6	47.42	39.7	48.41	92.87	202.23	250.41	
G104	254.06	203.86	94.15	46.6	39.13	47.59	91.1	204.25	254.06	
G105	261.42	205.74	92.52	45.11	38.92	46.04	89.23	208.25	261.42	
G106	268.72	209.38	91.6	43.73	38.57	45.26	88.31	212.04	268.72	
G107	272.36	213.03	89.79	43.1	38.39	43.88	86.36	214.02	272.36	
G108	279.76	214.76	88.02	41.86	38.35	42.67	84.41	217.88	279.76	
G109	283.37	218.34	87.1	40.76	38.39	42.67	83.42	221.77	283.37	
G110	290.74	220.11	85.15	40.23	38.46	40.76	81.37	223.72	290.74	

C Range: 0 - 360 Deg

C Interval: 45.0 Deg

Test Speed: High

Temperature:

Operators:

Test Date: 2019/11/3 10:22:11

G Range: 0 - 180 Deg

G Interval: 1.0 Deg

Test System: Huipu CPM-1800B Goniophotometer

Humidity:

Test Distance: 5.95 m

Remarks:

Report No.:

Test Time: 2019/11/3 10:22:11

LUMINOUS DISTRIBUTION INTENSITY DATA(Continue 3)

GammaC	C0	C45	C90	C135	C180	C225	C270	C315	C360	
G111	101.69	109.72	110.89	108.77	101.69	109.72	110.89	108.77	101.69	
G112	103.92	113.09	110.79	105.37	97.4	108.13	110.89	112.27	103.92	
G113	108.66	114.96	110.68	103.6	95.32	104.91	110.79	114.04	108.66	
G114	113.83	118.47	110.57	100.34	91.49	103.39	110.79	117.73	113.83	
G115	116.38	122.08	110.4	97.26	87.85	100.27	110.64	121.51	116.38	
G116	121.62	123.92	110.15	95.7	85.86	97.33	110.36	123.39	121.62	
G117	124.38	127.64	110.04	92.73	81.79	95.88	110.29	127.18	124.38	
G118	129.87	129.51	109.79	89.93	79.88	93.05	110.04	131.0	129.87	
G119	135.5	133.27	109.65	88.55	74.04	91.67	109.72	132.95	135.5	
G120	138.36	137.05	109.33	85.72	74.04	88.91	109.48	137.09	138.36	
G121	144.24	138.97	109.05	84.13	70.68	86.0	108.98	139.04	144.24	
G122	150.15	142.86	108.91	81.23	67.38	84.45	108.56	142.93	150.15	
G123	153.2	146.79	108.49	79.74	65.83	81.37	108.27	146.97	153.2	
G124	159.46	148.77	108.24	74.11	62.89	79.92	107.71	148.91	159.46	
G125	165.87	152.84	107.78	73.79	61.47	76.98	107.07	153.02	165.87	
G126	169.13	156.95	107.46	72.45	58.74	74.29	106.68	155.04	169.13	
G127	175.68	158.93	106.89	69.86	55.95	72.91	105.83	159.04	175.68	
G128	182.37	162.9	106.22	68.62	54.74	70.14	105.44	163.15	182.37	
G129	185.73	166.9	105.83	66.18	52.44	67.63	104.56	165.24	185.73	
G130	192.57	168.92	104.98	63.84	50.32	66.36	104.02	169.34	192.57	
G131	199.4	173.13	104.52	62.67	49.36	63.98	103.0	171.4	199.4	
G132	203.4	177.06	103.56	60.41	47.52	61.72	101.86	175.5	203.4	
G133	210.52	179.01	102.54	59.31	45.86	60.59	101.33	177.63	210.52	
G134	214.02	182.97	101.97	57.15	44.37	58.28	100.06	181.7	214.02	
G135	221.07	184.85	100.87	56.05	43.7	56.12	99.46	185.84	221.07	
G136	224.75	188.71	99.63	53.93	42.46	55.03	98.08	187.86	224.75	
G137	232.15	192.57	99.0	51.95	41.86	53.04	96.34	191.89	232.15	
G138	239.4	194.44	97.69	51.03	40.9	51.1	95.53	194.23	239.4	
G139	243.09	198.23	96.31	49.26	40.05	50.14	93.79	198.23	243.09	
G140	250.41	200.11	95.6	47.42	39.7	48.41	92.87	202.23	250.41	
G141	254.06	203.86	94.15	46.6	39.13	47.59	91.1	204.25	254.06	
G142	261.42	205.74	92.52	45.11	38.92	46.04	89.23	208.25	261.42	
G143	268.72	209.38	91.6	43.73	38.57	45.26	88.31	212.04	268.72	
G144	272.36	213.03	89.79	43.1	38.39	43.88	86.36	214.02	272.36	
G145	279.76	214.76	88.02	41.86	38.35	42.67	84.41	217.88	279.76	
G146	283.37	218.34	87.1	40.76	38.39	42.67	83.42	221.77	283.37	
G147	290.74	220.11	85.15	40.23	38.46	40.76	81.37	223.72	290.74	

C Range: 0 - 360 Deg

C Interval: 45.0 Deg

Test Speed: High

Temperature:

Operators:

Test Date: 2019/11/3 10:22:11

G Range: 0 - 180 Deg

G Interval: 1.0 Deg

Test System: Huipu CPM-1800B Goniophotometer

Humidity:

Test Distance: 5.95 m

Remarks:

Report No.:

Test Time: 2019/11/3 10:22:11

LUMINOUS DISTRIBUTION INTENSITY DATA(Continue 4)

GammaC	C0	C45	C90	C135	C180	C225	C270	C315	C360	
G148	101.69	109.72	110.89	108.77	101.69	109.72	110.89	108.77	101.69	
G149	103.92	113.09	110.79	105.37	97.4	108.13	110.89	112.27	103.92	
G150	108.66	114.96	110.68	103.6	95.32	104.91	110.79	114.04	108.66	
G151	113.83	118.47	110.57	100.34	91.49	103.39	110.79	117.73	113.83	
G152	116.38	122.08	110.4	97.26	87.85	100.27	110.64	121.51	116.38	
G153	121.62	123.92	110.15	95.7	85.86	97.33	110.36	123.39	121.62	
G154	124.38	127.64	110.04	92.73	81.79	95.88	110.29	127.18	124.38	
G155	129.87	129.51	109.79	89.93	79.88	93.05	110.04	131.0	129.87	
G156	135.5	133.27	109.65	88.55	74.04	91.67	109.72	132.95	135.5	
G157	138.36	137.05	109.33	85.72	74.04	88.91	109.48	137.09	138.36	
G158	144.24	138.97	109.05	84.13	70.68	86.0	108.98	139.04	144.24	
G159	150.15	142.86	108.91	81.23	67.38	84.45	108.56	142.93	150.15	
G160	153.2	146.79	108.49	79.74	65.83	81.37	108.27	146.97	153.2	
G161	159.46	148.77	108.24	74.11	62.89	79.92	107.71	148.91	159.46	
G162	165.87	152.84	107.78	73.79	61.47	76.98	107.07	153.02	165.87	
G163	169.13	156.95	107.46	72.45	58.74	74.29	106.68	155.04	169.13	
G164	175.68	158.93	106.89	69.86	55.95	72.91	105.83	159.04	175.68	
G165	182.37	162.9	106.22	68.62	54.74	70.14	105.44	163.15	182.37	
G166	185.73	166.9	105.83	66.18	52.44	67.63	104.56	165.24	185.73	
G167	192.57	168.92	104.98	63.84	50.32	66.36	104.02	169.34	192.57	
G168	199.4	173.13	104.52	62.67	49.36	63.98	103.0	171.4	199.4	
G169	203.4	177.06	103.56	60.41	47.52	61.72	101.86	175.5	203.4	
G170	210.52	179.01	102.54	59.31	45.86	60.59	101.33	177.63	210.52	
G171	214.02	182.97	101.97	57.15	44.37	58.28	100.06	181.7	214.02	
G172	221.07	184.85	100.87	56.05	43.7	56.12	99.46	185.84	221.07	
G173	224.75	188.71	99.63	53.93	42.46	55.03	98.08	187.86	224.75	
G174	232.15	192.57	99.0	51.95	41.86	53.04	96.34	191.89	232.15	
G175	239.4	194.44	97.69	51.03	40.9	51.1	95.53	194.23	239.4	
G176	243.09	198.23	96.31	49.26	40.05	50.14	93.79	198.23	243.09	
G177	250.41	200.11	95.6	47.42	39.7	48.41	92.87	202.23	250.41	
G178	254.06	203.86	94.15	46.6	39.13	47.59	91.1	204.25	254.06	
G179	261.42	205.74	92.52	45.11	38.92	46.04	89.23	208.25	261.42	
G180	268.72	209.38	91.6	43.73	38.57	45.26	88.31	212.04	268.72	

C Range: 0 - 360 Deg
 C Interval: 45.0 Deg
 Test Speed: High
 Temperature:
 Operators:
 Test Date: 2019/11/3 10:22:11

G Range: 0 - 180 Deg
 G Interval: 1.0 Deg
 Test System: Huipu CPM-1800B Goniophotometer
 Humidity:
 Test Distance: 5.95 m
 Remarks: